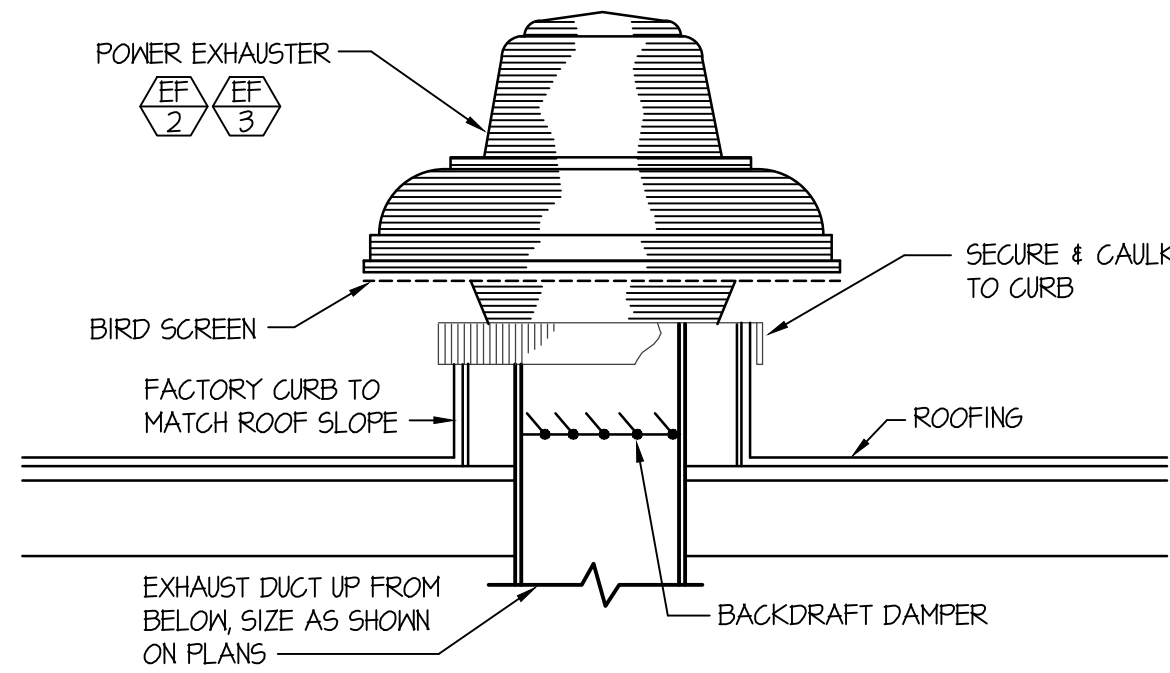
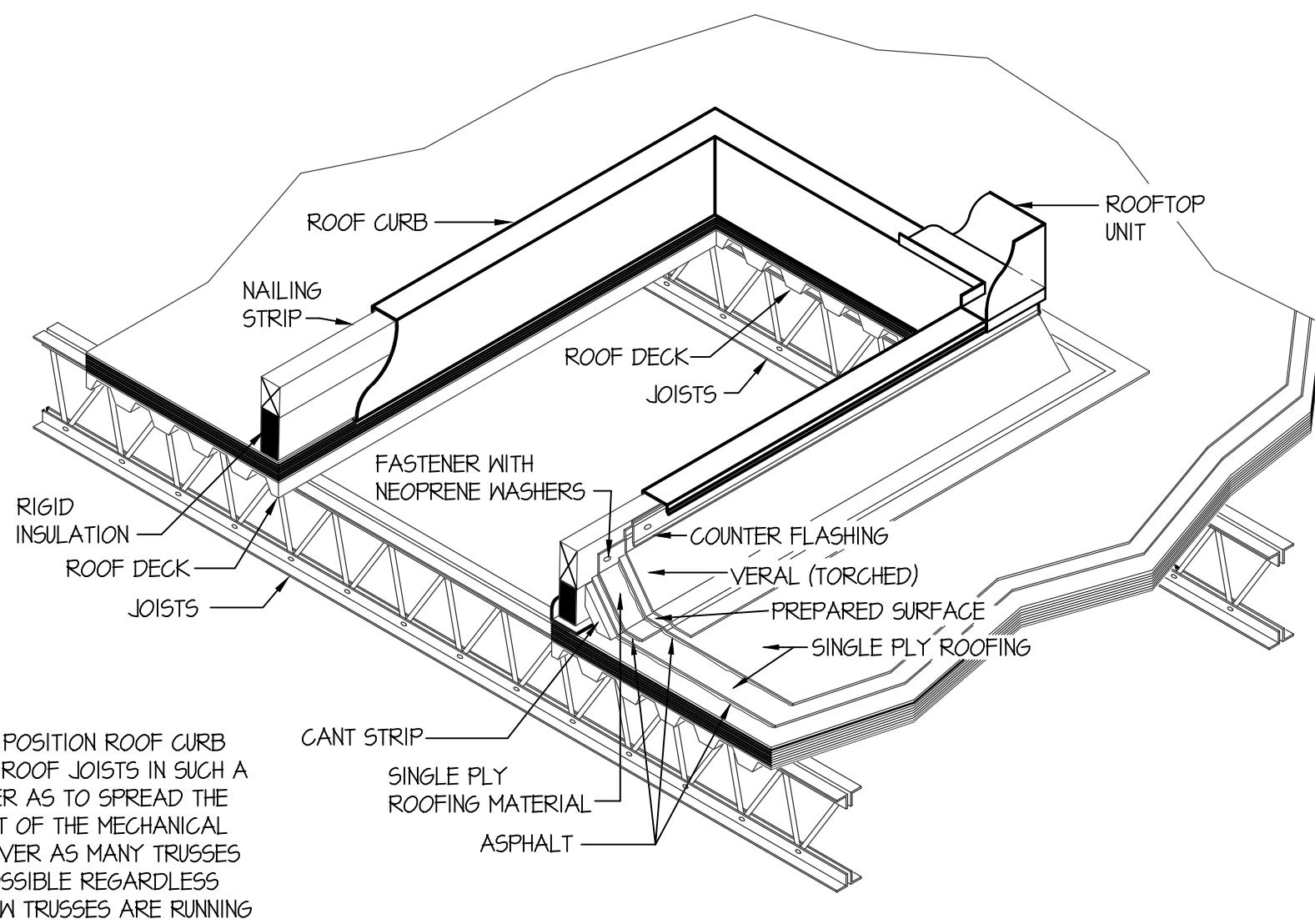


CEILING DIFFUSER DETAIL WITH FLEXIBLE DUCT
NO SCALE



ROOF TOP EXHAUST FAN DETAIL
NO SCALE



NOTE: POSITION ROOF CURB OVER ROOF JOISTS IN SUCH A MANNER AS TO SPREAD THE WEIGHT OF THE MECHANICAL UNIT OVER AS MANY TRUSSES AS POSSIBLE REGARDLESS OF HOW TRUSSES ARE RUNNING

TYPICAL ROOFTOP MOUNTING DETAIL
NO SCALE

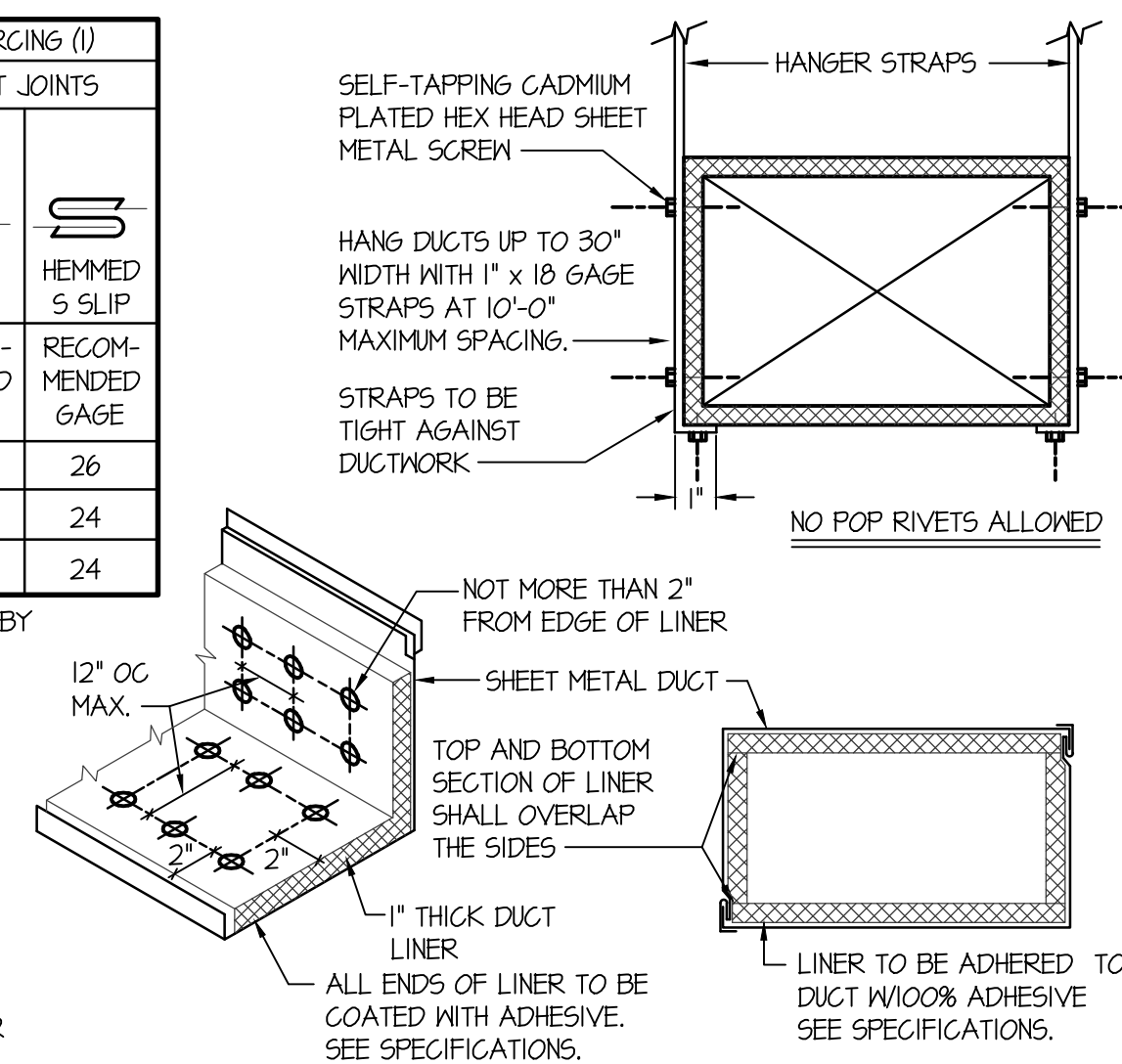
| DIMENSION OF LONGEST SIDE, INCHES | SHEET METAL GAGE (ALL FOUR SIDES) | TRANSVERSE REINFORCING (1) | |
|-----------------------------------|-----------------------------------|--|-----------|
| | | MINIMUM REINFORCING ANGLE SIZE AND MAXIMUM LONGITUDINAL SPACING BETWEEN TRANSVERSE JOINTS 4' OR INTERMEDIATE REINFORCING | AT JOINTS |
| UP THRU 12 | 26 | NONE REQUIRED | 26 26 |
| 13 - 18 | 24 | NONE REQUIRED | 24 24 |
| 19 - 30 | 24 | 1"x1/8" @ 60 IN | - 24 |

(1) TRANSVERSE REINFORCING SIZE IS DETERMINED BY DIMENSION OF SIDE TO WHICH ANGLE IS APPLIED.

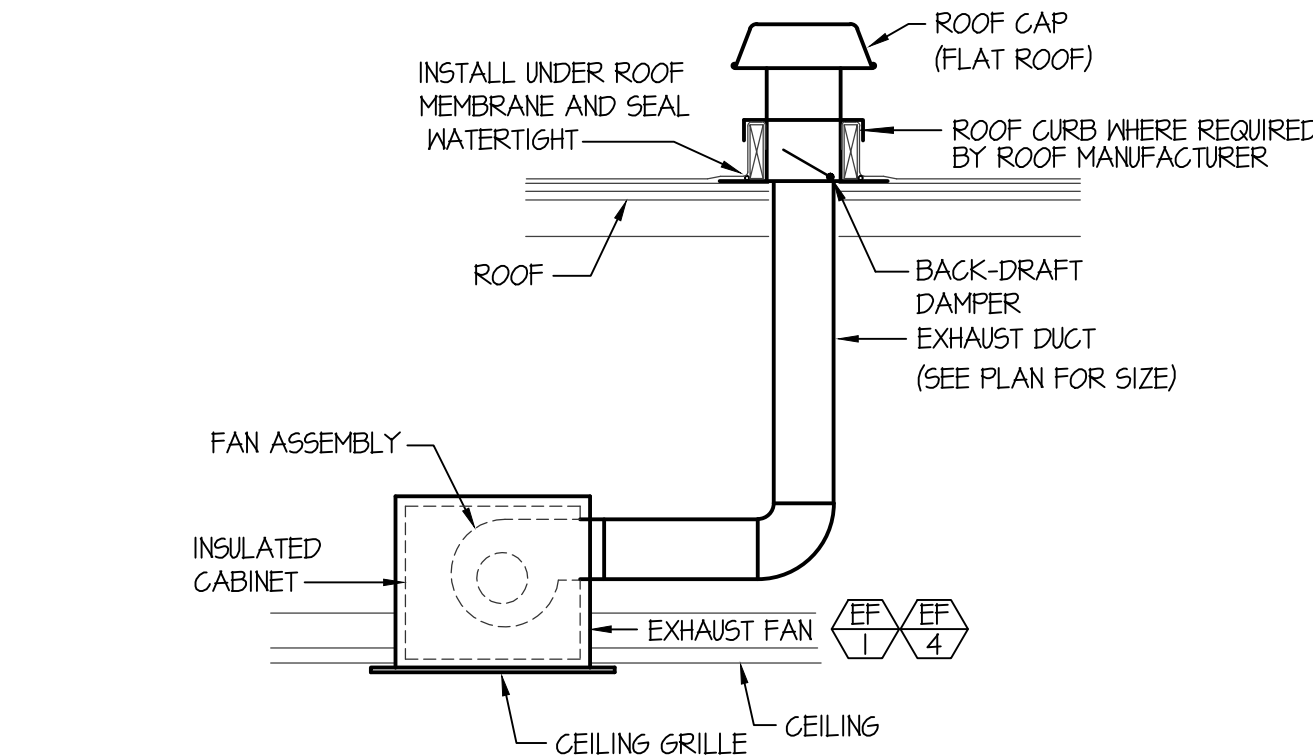
METAL FASTENERS - OMARK INSULPINS, DURO DYNE FASTENERS OR GRIPNAILS.

GRIP NAILS SHALL BE INSTALLED BY GRIPNAIL AIR HAMMER OR BY AUTOMATIC FASTENER EQUIP.

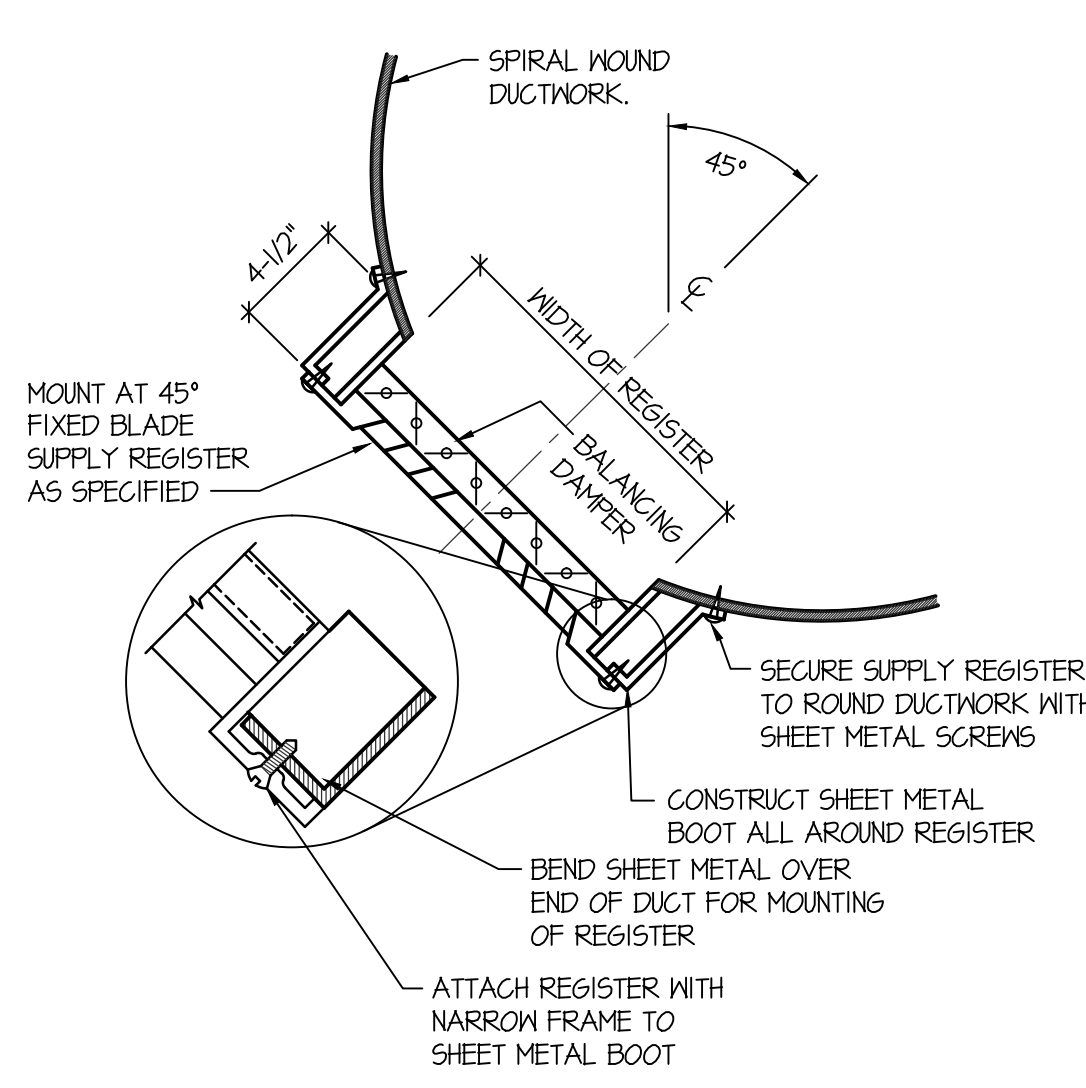
ENDS OF LINER SHALL BE BUTTED FIRMLY TOGETHER



DUCT CONSTRUCTION AND HANGER DETAIL
NO SCALE



CEILING MOUNTED EXHAUST FAN DETAIL
NO SCALE



REGISTER INSTALLATION DETAIL
NO SCALE

| SYM. | CFM | OUTSIDE AIR REQUIRED | SP | BLOWER HP. | CHAR | MCA | WEIGHT | GAS CONN | HEATING | | | COOLING | | | REMARKS | |
|------|-------|----------------------|------|------------|----------|------|--------|----------|---------|---------|------|---------|-------|------|---------|---|
| | | | | | | | | | BTU IN | BTU OUT | EAT | LAT | MBH | EAT | | MB |
| RT-1 | 4,000 | 500 | 1.0" | 3.0 | 208/60/3 | 49.0 | 1300# | 3/4" | 180,000 | 144,000 | 65°F | 104°F | 115.0 | 80°F | 62°F | LENNOX LGH20H4B WITH FACTORY ROOF CURB, ECONOMIZER & SMOKE DETECTOR |
| RT-2 | 4,000 | 500 | 1.0" | 3.0 | 208/60/3 | 49.0 | 1300# | 3/4" | 180,000 | 144,000 | 65°F | 104°F | 115.0 | 80°F | 62°F | LENNOX LGH20H4B WITH FACTORY ROOF CURB, ECONOMIZER & SMOKE DETECTOR |

* FOR COST BREAKDOWN THIS ENTIRE SYSTEM TO BE ALTERNATE #1

| SYM. | TYPE | C.F.M. | S.P.E. | WATTS | CHAR. | R.P.M. | CONTROL | REMARKS |
|------|-----------------|--------|--------|----------|----------|--------|------------------------|--|
| EF-1 | CEILING MOUNTED | 200 | 0.25 | 166 | 120/60/1 | 750 | WALL SWITCH | BROAN LOSONE SELECT MODEL L200 WITH BACKDRAFT DAMPER. 8" EXHAUST DUCT TO FLAT ROOF CAP |
| EF-2 | ROOF MOUNTED | 525 | 0.40 | 1/4 H.P. | 120/60/1 | 1450 | OCC. SENSOR SEE ELECT. | TWIN CITY MODEL 085C BCRD ROOFTOP FAN WITH FACTORY MOUNTED ROOF CURB |
| EF-3 | ROOF MOUNTED | 600 | 0.40 | 1/4 H.P. | 120/60/1 | 1600 | OCC. SENSOR SEE ELECT. | TWIN CITY MODEL 085C BCRD ROOFTOP FAN WITH FACTORY MOUNTED ROOF CURB |
| EF-4 | CEILING MOUNTED | 100 | 0.25 | 100 | 120/60/1 | 750 | WALL SWITCH | BROAN LOSONE SELECT MODEL L100 WITH BACKDRAFT DAMPER. 6" EXHAUST DUCT TO FLAT ROOF CAP |

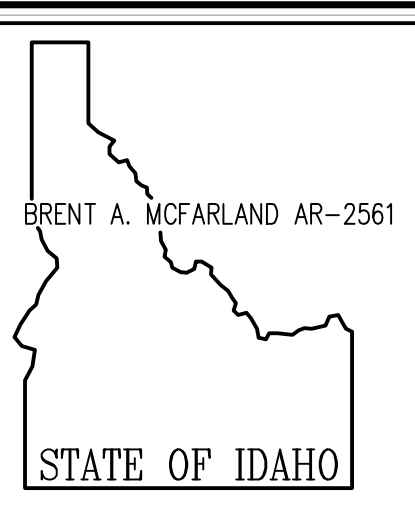
| SYM. | TYPE | BTU | KW | CHAR. | CONTROL | REMARKS |
|------|--------------|--------|------|----------|-----------------|--|
| EH-1 | CLG MOUNTED | 6,842 | 2.0 | 208/60/1 | INTEGRAL T-STAT | QMARK TYPE CDF-RE548 CLG. MOUNTED HEATER WITH 24x24 LAY-IN CEILING ENCLOSURE |
| EH-2 | WALL MOUNTED | 10,234 | 3.0 | 208/60/1 | INTEGRAL T-STAT | QMARK TYPE CWH-3404 RECESSED MOUNT HEATER |
| EH-3 | WALL MOUNTED | 6,842 | 2.0 | 208/60/1 | INTEGRAL T-STAT | QMARK TYPE CWH-3208 RECESSED MOUNT HEATER |
| EH-4 | WALL MOUNTED | 6,842 | 2.0 | 208/60/1 | INTEGRAL T-STAT | QMARK TYPE CWH-3208 RECESSED MOUNT HEATER |
| EH-5 | WALL MOUNTED | 2,554 | 0.75 | 120/60/1 | INTEGRAL T-STAT | QMARK MODEL GFR500T2 WALL HEATER WITH RECESSED BRACKET AND INTEGRAL T-STAT |

| SYM. | TYPE | BLOWER SECTION | | DX COOLING COIL | | | PIPING SIZES | | CHAR. | AMPS | REMARKS | | |
|------|--------------|----------------|----|-----------------|------|------|--------------|------|-------|------|----------|-------|---|
| | | CFM | SP | H.P. | MBH | EAT | LAT | LIQ | | | | SUCT. | |
| FC-1 | WALL MOUNTED | 625 | NA | NA | 22.0 | 80°F | 55°F | 3/8" | 5/8" | 3/4" | 208/60/1 | 1.2 | mitsubishi MSY-6A24NA WALL MOUNTED UNIT WITH CONTROLLER |

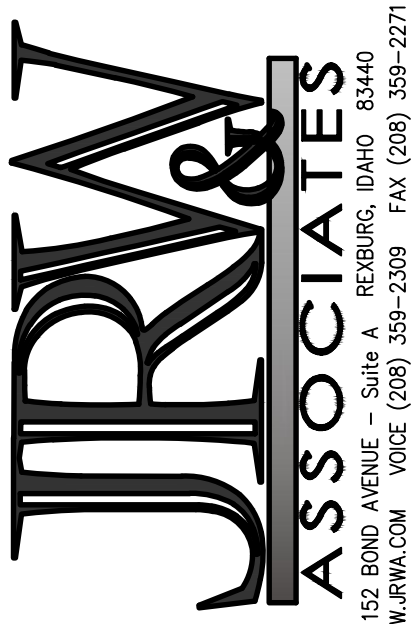
* UNIT TO COME COMPLETE WITH CONDENSATE PUMP.

| SYM. | BTU | EAT | CHAR. | MCA | WEIGHT | REMARKS |
|------|--------|------|----------|------|--------|--|
| CU-1 | 22,000 | 95°F | 208/60/1 | 17.0 | 126# | mitsubishi MUY-6A24NA WITH 0°F LOW AMBIENT KIT |

| SYM. | TYPE | SIZE | CFM RANGE | THROW PATTERN | CONSTR. | FINISH | BALANCING DAMPER | FIRE DAMPER | REMARKS |
|------------|--------------------------|-------|-----------|---------------|---------|-------------|------------------|-------------|---|
| D-1 (CFM) | CEILING | 4x4 | 110-280 | ⬇ | STEEL | WHITE | NO | NA | PRICE MODEL SMD IN 24"x24" LAY-IN MODULE |
| D-2 (CFM) | CEILING | 4x4 | 110-280 | ⬇ | STEEL | WHITE | NO | NA | PRICE MODEL SMD IN 24"x24" LAY-IN MODULE |
| D-3 (CFM) | CEILING | 4x4 | 110-280 | ⬇ | STEEL | WHITE | NO | NA | PRICE MODEL SMD IN 24"x24" LAY-IN MODULE |
| SR-1 (CFM) | SIDEWALL | 12x6 | 50-220 | NA | STEEL | FIELD PAINT | YES | NA | PRICE MODEL 520 D WITH FLANGE FRAME |
| SR-2 (CFM) | SIDEWALL | 12x10 | 230-400 | NA | STEEL | FIELD PAINT | YES | NA | PRICE MODEL 520 D WITH FLANGE FRAME |
| Eg-1 (CFM) | CEILING | 10x10 | 100-300 | NA | STEEL | WHITE | NA | NA | PRICE MODEL 535 IN IN 24"x24" LAY-IN MODULE |
| R-1 | CEILING | 10x10 | 100-300 | NA | STEEL | WHITE | NA | NA | PRICE MODEL 535 IN IN 24"x24" LAY-IN MODULE |
| R-2 | CEILING | 12x12 | 300-450 | NA | STEEL | WHITE | NA | NA | PRICE MODEL 535 IN IN 24"x24" LAY-IN MODULE |
| R-3 | CEILING | 24x48 | 1495 | NA | STEEL | FIELD PAINT | NA | NA | PRICE MODEL 535 |
| R-4 | CEILING | 48x42 | 4000 | NA | STEEL | FIELD PAINT | NA | NA | PRICE MODEL 535 |
| R-5 | CEILING | 22x10 | 850-900 | NA | STEEL | FIELD PAINT | NA | NA | PRICE MODEL 535 |
| TG-1 | SIDEWALL TRANSFER GRILLE | 12x10 | 200-400 | NA | STEEL | WHITE | NA | NA | PRICE MODEL 535 |



BRENT A. MCFARLAND AR-2561



CONSULTANTS:
MECHANICAL ENGINEERING
ENGINEERED SYSTEMS ASSO.
1355 East Center
Pocatello, Idaho 83201
(208) 233-0521
Fax (801) 233-0529
ELECTRICAL ENGINEERING
PAYNE ENGINEERING INC.
1823 E. Center St.
Pocatello, Idaho 83201
(208) 232-4439
Fax (208) 232-1435

PROJECT: **Brad Hall and Associates Office** IDAHO FALLS, IDAHO
DRAWING TITLE: **MECHANICAL SCHEDULES**

| REVISION: | |
|-----------|--------------|
| # | DATE COMMENT |
| | |
| | |

ORIGINAL DRAWING SIGNED BY: DWAYNE C. SUWEEKS
DATE ORIGINAL SIGNED: Jun 24, 2019
ORIGINAL ON FILE AT ENGINEERED SYSTEMS ASSOCIATES
1855 EAST CENTER, POCATELLO, IDAHO 83201

PROFESSIONAL ENGINEER
REGISTERED
5762
STATE OF IDAHO
DWAYNE C. SUWEEKS

Engineered Systems Associates

1355 EAST CENTER
POCATELLO, IDAHO 83201

PHONE: (208) 233-0501
FAX: (208) 233-0529
EMAIL: eso@engsystems.com
ESA JOB NUMBER: 19018

DRAWN BY: SR JOB NO: TTO
CHECKED BY: DCS DATE: JUNE 2019
PLOT DATE: 5/24/19
DRAWING NO. FILE: **M2.0**
OF -